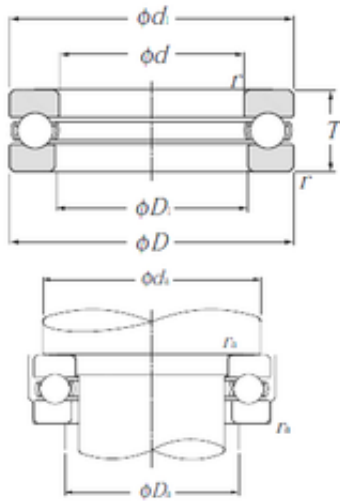




FYKK Bearing Industrial Limited



NTN 51222 Thrust Bearings

Bearing No. 51222

51222 Bearing 2D drawings and 3D CAD models

Size	110x160x38 mm
Bore Diameter	110 mm
Outer Diameter	160 mm
Width	38 mm
d	110 mm
D	160 mm
T	38 mm
d1	160 mm
r min.	1,1 mm
D1	113 mm
da min.	140 mm
Da max.	130 mm
ra max.	1 mm
Weight	2,46 Kg
Basic dynamic load rating (C)	153 kN
Basic static load rating (C0)	450 kN
(Grease) Lubrication Speed	1 200 r/min
Category	Thrust Ball Bearing
Inventory	0.0
Manufacturer Name	NTN
Minimum Buy Quantity	N/A
Weight / Kilogram	2.5
EAN	4547359306811
Product Group	B00308
Rolling Element	Ball Bearing
Thrust Bearing	Yes



FYKK Bearing Industrial Limited

Single or Double Direction	Single Direction
Banded	No
Cage Material	Steel
Precision Class	ABEC 1 ISO P0
Component Description	Roller Assembly Plus Raceways
Other Features	Single Row With Flat Seat
Long Description	110MM Bore 1; 113MM Bore 2; 160MM Outside Diameter; 38MM Height; Ball Bearing; Single Direction; Not Banded; Steel Cage; ABEC 1 ISO P0 Precision
Inch - Metric	Metric
Category	Thrust Ball Bearings
UNSPSC	31171552
Harmonized Tariff Code	8482.10.50.08
Noun	Bearing
Keyword String	Ball Thrust
Manufacturer URL	http://www.ntnamerica.com
Manufacturer Item Number	51222
Weight / LBS	5.42337
Bore 1	4.331 Inch 110 Millimeter
Bore 2	4.449 Inch 113 Millimeter
Overall Height with Aligning Washer	0 Inch 0 Millimeter
Height	1.496 Inch 38 Millimeter
Outside Diameter	6.299 Inch 160 Millimeter
bore diameter:	110 mm
dynamic load capacity:	153000 N
outside diameter:	160 mm
operating temperature range:	-40 to 120 ° C



FYKK Bearing Industrial Limited

overall width:	38 mm
maximum rpm:	1800 rpm
thrust bearing type:	Single-Direction
bearing material:	High Carbon Chrome Steel
outside diameter design:	Straight
cage material:	Steel
separable or banded:	Separable
fillet radius:	1.1 mm
precision rating:	ISO Class 0
manufacturer product page:	Click here
static load capacity:	450000 N